



联系我们 / Contact Us

公司名称：苏州为山之环境技术有限公司

Suzhou Weishans Climate Technologies Co.,Ltd

公司官网 / Web: www.weishans.com

地址：江苏省苏州市相城区黄埭镇咏春科技园

Address: Yongchun Science and Technology Park, Huangdai Town, Xiangcheng District, Suzhou City, Jiangsu Province

高效涡旋压缩机

High Energy Efficiency Scroll Compressor

空调冷水机应用产品手册

Product Manual For Air conditioning & Cooling Water Application

免责声明

技术数据在印刷前已经校对过，印刷之后有再更新的可能。如有对某一参数确认的需求，请联系苏州为山之环境技术有限公司。为山对参数中可能存在的差错概不承担任何责任，为山之保留自行改变其产品而不预先通知的权利。

Disclaimer

Our technical data have been checked before printing, but it is possible for data to be updated after printing. If you need to confirm a certain parameter, please contact Suzhou Weishans Climate Technology Co., Ltd. Weishans will not take any responsibilities for any possible errors in the parameters and reserve the right to change its products without prior notice.

Rev:202502

苏州为山之环境技术有限公司
Suzhou Weishans Climate Technologies Co.,Ltd

为山者

积土成山，事当有为不为

为山者，当以九仞为目标，坚韧前行

居谷不弃，据高无傲，以余力尽余志

为山者，当持仁心，聚仁人志士以作为

仁德宽厚，虚怀若谷，度己度人，度可度之人

为山者智而不乱智，谋而不全谋

为山者实为治军，将即将，身先士卒，令必行，士必勤勇，功当巨赏

为山者胜于人，乃心胜于人，非物胜于人也

为山者，虽积跬步箕土，乃成伟山

WEISHANS

To build mountain with small amounts of earth, You would select what to do and what not to do.

To be WEISHANS, You should have a high goal, go forward no matter what difficulty to meet, No give up when you low,

No pride when you high, Do what you can do for the capable goal.

To be WEISHANS, You should have a heart like god, Collect kind and upright men to do something right, kind god feeling to others , mind breadth, sublime oneself and others ,and sublime the men who will sublime.

To be WEISHANS, should be smart but only smart on the right direction, and have astuteness on the right place.

To be WEISHANS, Just like build an army, General should be exactly like a leader with active and positive Behavior, order must have good result and active feedback, soldiers must be active to order and work hard, great reward for great job.

To be WEISHANS, They defeat others, They are so strong in mind not on the treasure.

To be WEISHANS, Even with small steps to reach peak , Even collect small earth to build great mountain.

目录Catalog

公司简介 01
About us

产品特点 04
About Product

关键技术及创新 05
Characters and Advantages

命名规则 07
Nomenclature

应用范围 08
Application Range

技术参数 09
Specification

制冷量 15
Cooling Capacity

外形尺寸 36
Dimensional Information

苏州为山之环境技术有限公司

Suzhou Weishans Climate Technologies Co., Ltd

苏州为山之环境技术有限公司成立于2018年6月，坐落于工业发达的历史名城苏州，专注于开发节能环保型压缩机，是一家创新型科技企业。为山之研发的涡旋式热泵压缩机核心技术已取得重大突破，并成功应用于多个领域，包括但不限于工业制冷、商用热水、工业蒸汽、农业烘干、制冷工程、精密空调、轨道交通制冷、转轮除湿及工业余热回收等。

公司研发的系列热泵蒸汽涡旋压缩机以及国内率先推出的防爆系列涡旋压缩机，显著拓展了涡旋压缩机的应用范围。公司自主研发的强力增焓技术也进一步扩大了压缩机的运行范围，使得在常温条件下使用同一工质实现高效蒸汽成为现实。

公司拥有先进的自动化生产线和高精度检测与加工设备，创新工艺流程，具备年产10万台涡旋压缩机的组装生产能力，产品覆盖从2匹至25匹。公司产品通过了CCC、CE、CB、ROHS & REACH和ISO 9001等多项国际认证。

公司高度重视知识产权保护，至今已申请41项知识产权，其中包括13项发明专利（5项已获授权）、27项实用新型专利（21项已获授权）和1项软件著作权。公司荣获江苏省民营科技企业和国家级高新技术企业称号。

公司注重质量管理体系和信息化建设，秉持以人为本的理念，组建了一支具有竞争力的人才队伍，激发员工的积极性和创造力，不断提高运营效率。公司秉承创新、诚信的理念，致力于为客户创造更多价值，携手实现共赢。

展望未来，公司将继续加大研发投入，致力于为客户提供绿色环保的热泵及冷冻压缩机解决方案，以减少全球碳排放为使命，为构建绿色地球家园贡献力量。

Suzhou Weishans Climate Technology Co., Ltd was established in June 2018, it is located in Suzhou with developed industry and long history city, and focuses on the development of energy-saving and environment protection compressors. It is an innovative technology enterprise. The core technology of the scroll heat pump compressors developed by Weishans has made significant breakthroughs and has been successfully applied in multiple fields, including but not limited to industrial refrigeration, commercial hot water, industrial steam, agricultural drying, refrigeration engineering, precision air conditioning, rail transit refrigeration, rotary wheel dehumidification and industrial waste heat recovery, etc. The series of heat pump steam scroll compressors developed by the company and the explosion-proof series of scroll compressors first launched in China have significantly expanded the application range of scroll compressors. The company's independently developed strong enthalpy increase technology has also further expanded the operating range of the compressor, making it possible to achieve efficient steam using the same working fluid under normal temperature conditions.

The company owns advanced automated production lines and high-precision testing and machining equipments, innovated technological process, and has an annual assembly production capacity of 100,000 scroll compressors, with products covering the range from 2HP to 25HP. The company's products have passed multiple international certifications including CCC, CE, CB, ROHS & REACH and ISO 9001.

The company attaches great importance to the protection of intellectual property rights and has applied for 41 intellectual property rights so far, including 13 invention patents (5 have been authorized), 27 utility model patents (21 have been authorized) and 1 software copyright. The company has been awarded the titles of Jiangsu Private Technology Enterprise and National High-tech Enterprise.

The company attaches great importance to the quality management system and information construction, adheres to the people-oriented concept, and has formed a competitive talent team to stimulate the enthusiasm and creativity of employees and continuously improve operational efficiency. The company adheres to the concepts of innovation and integrity, and is committed to creating more value for customers and achieving win-win results together.

Looking forward to the future, the company will continue to increase investment in research and development, and is committed to providing customers with green and environmentally heat pump and refrigeration compressor solutions. With the mission of reducing global carbon emissions, it will contribute to building a green Earth home.

www.weishans.com

OUR VISION

企业愿景

为山之遵循“求精不求巧，求本不求华”的产品理念，把“为山”打造成国内外知名品牌。

WE AIM TO MAKE "WEISHAN" THE FIRST-CLASS INTERNATIONAL BRAND. WE ALWAYS FOLLOW THE THINKING "TO ACHIEVE PERFECTION WITHOUT INGENUITY, SEEKING FOR ORIGIN WITHOUT REFINEMENT."

OUR MISSION

企业使命

以“九仞”为目标，坚韧前行；居谷不弃，据高无傲！

"JIUREN" IS OUR AIM. WE WILL MOVE FORWARD TOUGHLY. WE WILL NEVER GIVE UP EVEN IN DOWNS AND NEVER BE ARROGANT WHEN IN UPS.

SERVICE AIM

服务宗旨

顾客第一、品质第一、服务第一、持续改进、回报社会

CUSTOMERS FIRST, QUALITY FIRST, SERVICE FIRST, KEEPING IMPROVING, REPAYING SOCIETY



Build a Nine-ten Mountain
Forge Ahead

为山九仞 砥砺前行



ABOUT PRODUCT 产品特点

“为山”牌涡旋压缩机性能优良，突出的特点有：

1. 国产替代：拥有自主知识产权，且与国外知名企业的同等技术水平的产品具有良好的互换性。
2. 重点开发的中高功率范围12匹及以上的全封闭压缩机新产品，获得良好的市场应用口碑。
3. 针对不同的冷媒设计多种涡旋盘，适用范围广，WW系列压缩机在烘干机组上冷凝温度最高可达85摄氏度。
4. 能效比高，入围北极熊创新产品奖前三甲，是节能机组产品。

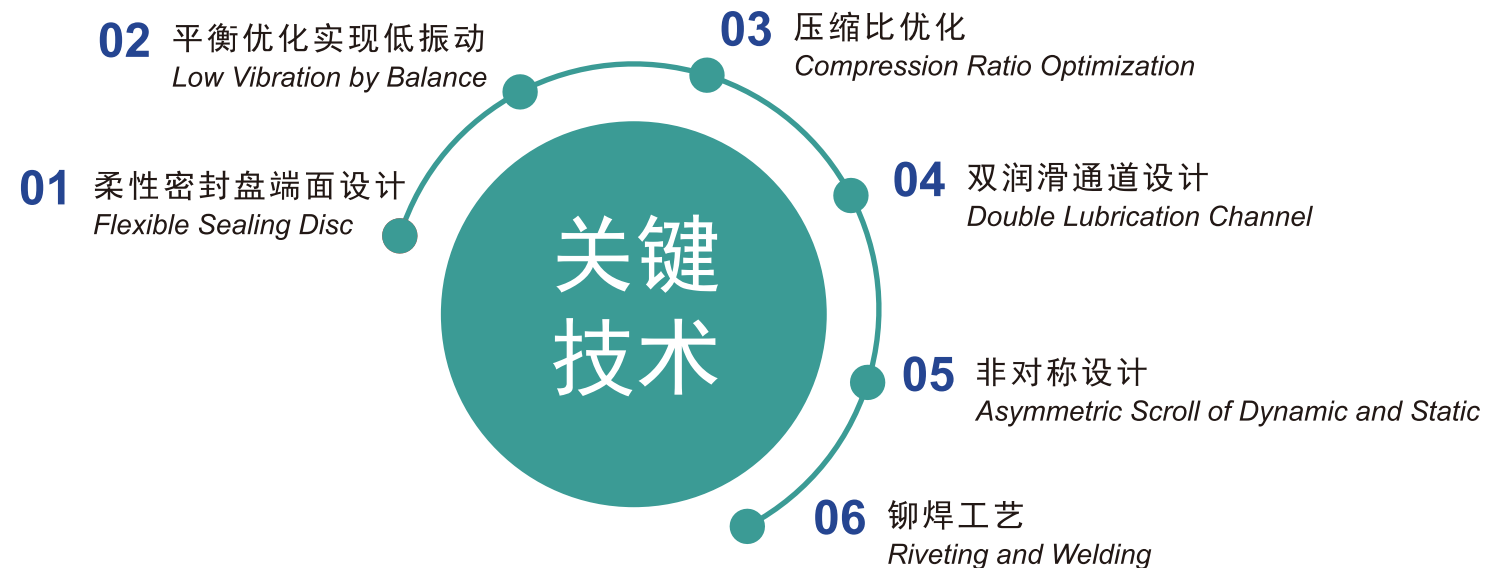
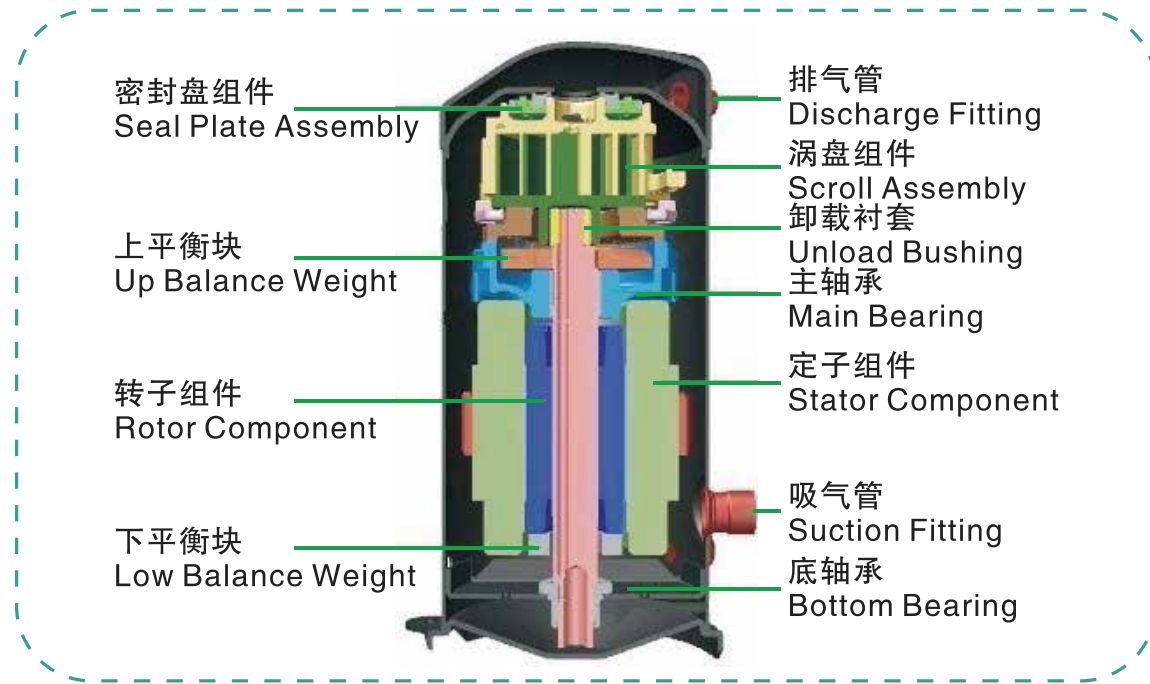
"Weishan" brand scroll compressors have excellent performance, and the outstanding features are as below:

1. *Localization substitution: independent intellectual property rights; good interchangeability with products of the same technical level as well-known foreign companies.*
2. *Stress-developed ≥ 12 HP hermetic compressors in the medium and high power range and get good market application reputation.*
3. *The products are designed with multiple scrolls for different refrigerants and have a wide application range. The condensing temperature of WW series can reach 85°C on the drying unit.*
4. *The products have high energy efficiency ratio are selected in the top three of the Polar Bear Innovative Product Award and are the energy-saving units.*

关键技术及创新

Characters and Advantages

关键技术及创新 CHARACTERS AND ADVANTAGES



关键技术及创新

Characters and Advantages

关键技术及创新 CHARACTERS AND ADVANTAGES

为山之的涡旋压缩机为热泵，空调，冷水机及冷冻冷藏等应用提供了出众的解决方案，涡旋压缩机是高可靠性，高能效比，紧凑性系统设计的理想选择。为山系列涡旋压缩机可提供2~25HP的产品，其适用的制冷剂包括R410A, R22, R407C, R134a等

Weishans's scroll compression technology provide an outstanding solution for Heat pump, air conditioner, chiller and refrigeration applicaiton. Scroll compressors are an ideal choice with high reliability, high EER and compact system design. The scroll compressors of Weishan series can provide 2HP~25HP products, the applicable refrigerants include R410A, R22,R407C, R134a ETC.

制冷量数据 Capacity Data

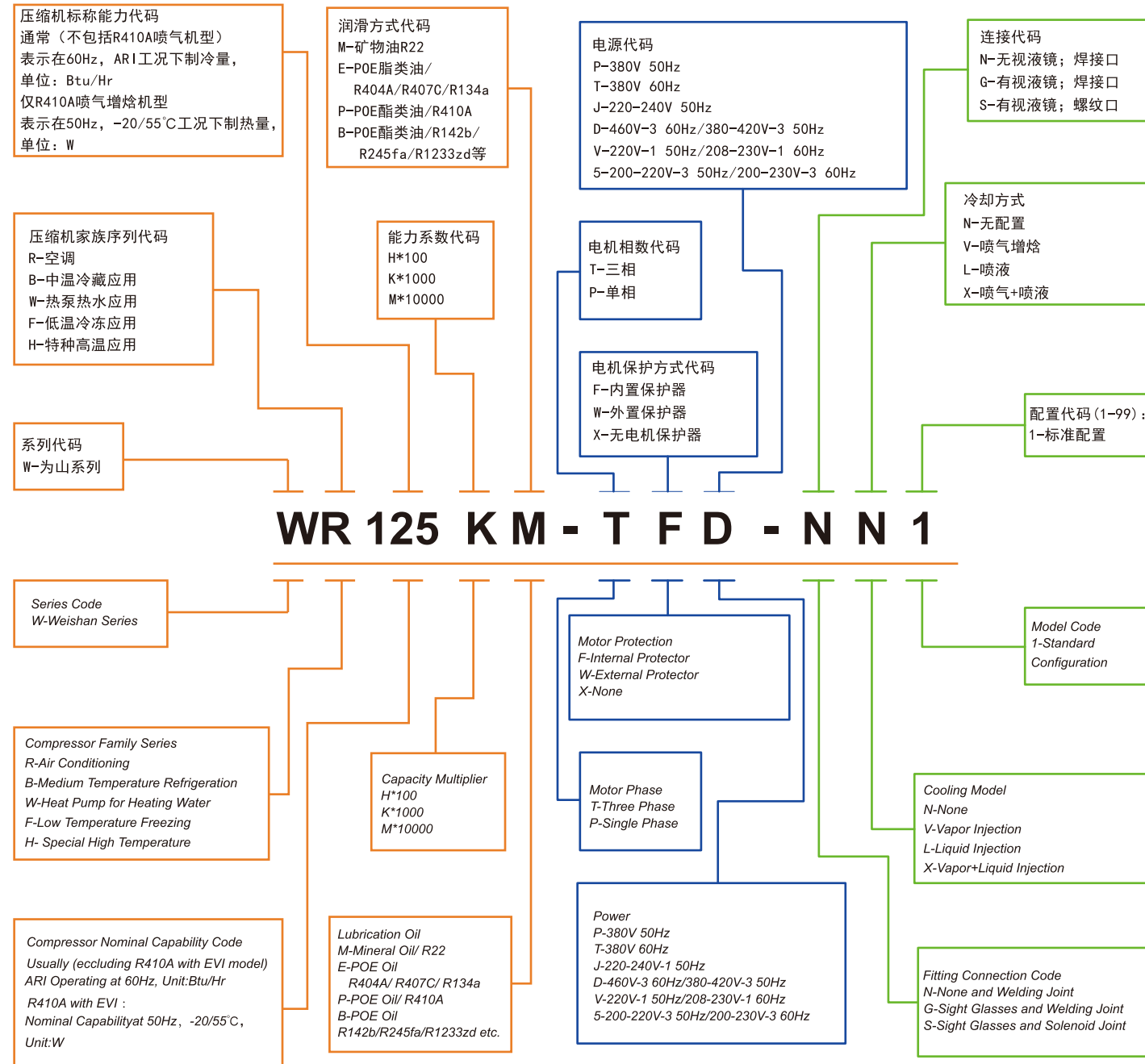
本样本所列压缩机制冷量数据, 电源频率50Hz (电机同步转速2900rpm)。当压缩机在60Hz频率 (电机转速3500rpm) 运行时, 制冷量以及输入功率相应约增加20%。压缩机不宜在应用范围外使用。

The capacity data of scroll compressors listed in this catalogue, power frequency is 50 Hz (Synchronous speed of motor 2900 rpm). When the compressors are operated with 60Hz (the speed of motor 3500 rpm), the capacity and input power are correspondingly increased about 20%. The compressors should not be used beyond the application range. Cooling capacity data of compressor listed in this sample, power frequency: 50Hz(synchronous motor speed: 2900rpm)

命名规则

Nomenclature

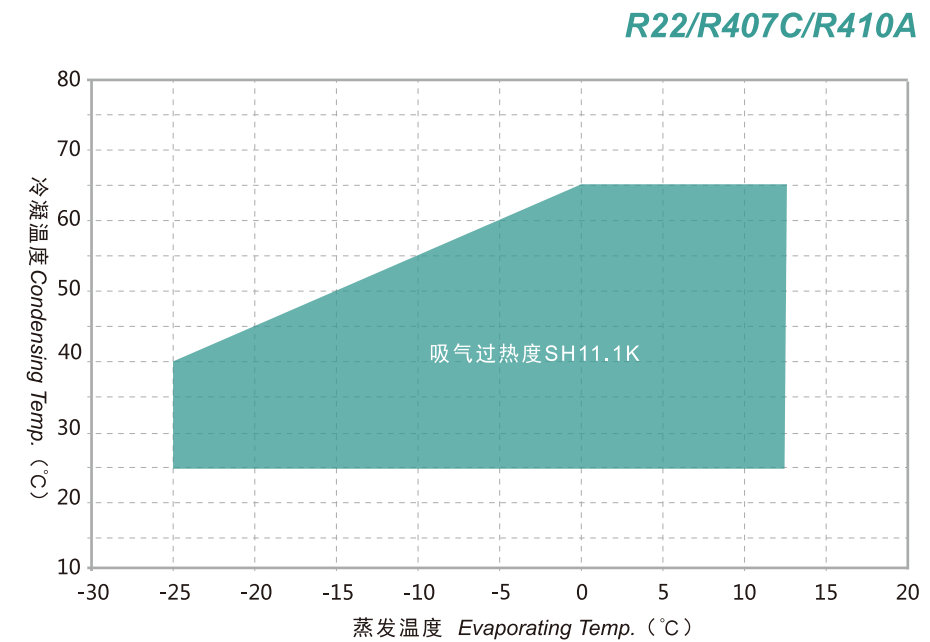
命名规则 NOMENCLATURE



应用范围

Application Range

应用范围 APPLICATION RANGE



技术参数 Specifications

R22

技术参数 SPECIFICATIONS

型号 Model		WR28KM-TFD-NN1	WR36KM-TFD-NN1	WR48KM-TFD-NN1	WR61KM-TFD-NN1	WR72KM-TFD-NN1	WR81KM-TFD-NN1	WR94KM-TFD-NN1
电制 Motor Power		380-420V/3~/50Hz or 460V/3~/60Hz						
名义功率 Nominal Power(HP)		2	3	4	5	6	7	8
排量 Displacement(CC/Rev)		37.2	50.6	63.9	84.5	98.9	108	127
制冷剂Refrigerant		R22						
名义制冷量 Nominal Capacity(W)		6449	8772	11079	14650	18315	20000	23300
名义输入功率 Nominal Power(W)		1959	2665	3365	4450	5330	5820	6770
名义工况能效比 COP(W/W)		3.29	3.29	3.29	3.29	3.44	3.44	3.44
名义工况电流 Nominal Operating Current(A)		3.6	4.8	6.2	8.2	9.5	10.5	12.5
堵转电流LRA(A)		45	45	45	60	60	110	117
最大运行电流MOC(A)		5.1	6.6	8.4	11.6	13.6	16.3	17.3
曲轴箱加热器功率 Crankcase Heater(W)		70	70	70	70	70	70	90
接管内径尺寸 Fitting ID Size(mm)	排气管Dis.Tube	12.94-13.10						22.37-22.51
	吸气管Suc.Tube	22.37-22.51						34.97-35.10
外形尺寸 Dimension(mm)	长(L)	244.4		233.63			281.4	
	宽(W)	230.5		230.5			273.7	
	高(H)	403.4		442.7			523.7	
底脚安装尺寸(孔径) Mounting Dim.(Dia.)(mm)		190.5x190.5(9.0)						190.5x190.5(8.5)
润滑油类型 Lubrication Oil		3GS						
润滑油初次充注量 Lubrication Oil Initial Charge(L)		1.4	1.4	1.4	1.8	1.8	1.8	3.0
润滑油重新充注量(L) Lubrication Oil Recharge(L)		1.2	1.2	1.2	1.6	1.6	1.6	2.8
最大工作压力 Maxium Operating Pressure(MPa)								
高压侧 High Pressure Side		3.0						
低压侧 Low Pressure Side		2.0						
重量 Weight(kg)		28	28	28	37	38	38	66

注: 蒸发温度7.2°C, 冷凝温度54.4°C, 回气温度18.3°C, 过冷度8.3°C

Note: Evaporating Temperature 7.2°C, Condensing Temperature 54.4°C, Return Gas Temperature 18.3°C, Subcooling 8.3°C

技术参数 Specifications

R22

技术参数 SPECIFICATIONS

型号 Model		WR108KM-TFD-NN1	WR125KM-TFD-NN1	WR144KM-TFD-NN1	WR160KM-TFD-NN1	WR190KM-TFD-GN1	WR250KM-TWD-GN1	WR310KM-TWD-GN1
电制 Motor Power		380-420V/3~/50Hz or 460V/3~/60Hz						
名义功率 Nominal Power(HP)		9	10	12	13	15	20	25
排量 Displacement(CC/Rev)		147.7	167.2	190.8	209	248.9	325	400
制冷剂Refrigerant		R22						
名义制冷量 Nominal Capacity(W)		27558	31100	35600	38290	45600	59542	73282
名义输入功率 Nominal Power(W)		7896	9020	10200	11504	13700	17889	22017
名义工况能效比 COP(W/W)		3.44	3.45	3.49	3.33	3.33	3.33	3.33
名义工况电流 Nominal Operating Current(A)		14.3	15.8	17.6	18.9	22.5	29.4	38.4
堵转电流LRA(A)		122	122	149	149	149	290	290
最大运行电流MOC(A)		19.5	22.2	23.5	26.1	31.1	40.6	50.0
曲轴箱加热器功率 Crankcase Heater(W)		90	90	90	90	90	90	90
接管内径尺寸 Fitting ID Size(mm)	排气管Dis.Tube	22.37-22.51				28.81-28.95		
	吸气管Suc.Tube	34.97-35.10						
外形尺寸 Dimension(mm)	长(L)	281.4				337.34		
	宽(W)	273.7				333.77		
	高(H)	523.7				649.7		
底脚安装尺寸(孔径) Mounting Dim.(Dia.)(mm)		190.5x190.5(8.5)						
润滑油类型 Lubrication Oil		3GS						
润滑油初次充注量 Lubrication Oil Initial Charge(L)		3	3	3.2	3.2	3.2	5	5
润滑油重新充注量(L) Lubrication Oil Recharge(L)		2.8	2.8	3	3	3	4.8	4.8
最大工作压力 Maxium Operating Pressure(MPa)								
高压侧 High Pressure Side		3.0						
低压侧 Low Pressure Side		2.0						
重量 Weight(kg)		66	66	66	66	66	92	92

注: 蒸发温度7.2°C, 冷凝温度54.4°C, 回气温度18.3°C, 过冷度8.3°C

Note: Evaporating Temperature 7.2°C, Condensing Temperature 54.4°C, Return Gas Temperature 18.3°C, Subcooling 8.3°C

技术参数 Specifications

R407C

技术参数 SPECIFICATIONS

型号 Model	WR28KE-TFD-NN1	WR36KE-TFD-NN1	WR48KE-TFD-NN1	WR61KE-TFD-NN1	WR72KE-TFD-NN1	WR81KE-TFD-NN1	WR94KE-TFD-NN1	
电制 Motor Power	380-420V/3~/50Hz or 460V/3~/60Hz							
名义功率 Nominal Power(HP)	2	3	4	5	6	7	8	
排量 Displacement(CC/Rev)	37.2	50.6	63.9	84.5	98.9	108	127	
制冷剂Refrigerant	R407C							
名义制冷量 Nominal Capacity(W)	6251	8503	10738	14200	17491	19100	22200	
名义输入功率 Nominal Power(W)	1981	2695	3403	4500	5495	6000	6970	
名义工况能效比 COP(W/W)	3.15	3.15	3.15	3.15	3.18	3.18	3.18	
名义工况电流 Nominal Operating Current(A)	3.7	4.9	6.3	8.3	9.8	11.1	13	
堵转电流LRA(A)	45	45	45	60	60	110	117	
最大运行电流MOC(A)	5.2	7.0	8.6	11.7	14.4	16.3	17.3	
曲轴箱加热器功率 Crankcase Heater(W)	70	70	70	70	70	70	90	
接管内径尺寸 Fitting ID Size(mm)	排气管 Dis.Tube	12.94-13.10					22.37-22.51	
	吸气管 Suc.Tube	22.37-22.51					34.97-35.10	
外形尺寸 Dimension(mm)	长(L)	244.4		233.63			281.4	
	宽(W)	230.5		230.5			273.7	
	高(H)	403.4		442.7			523.7	
底脚安装尺寸(孔径) Mounting Dim.(Dia.)(mm)	190.5x190.5(9.0)						190.5x190.5(8.5)	
润滑油类型 Lubrication Oil	POE							
润滑油初次充注量 Lubrication Oil Initial Charge(L)	1.4	1.4	1.4	1.8	1.8	1.8	3.0	
润滑油重新充注量(L) Lubrication Oil Recharge(L)	1.2	1.2	1.2	1.6	1.6	1.6	2.8	
最大工作压力 Maxium Operating Pressure(MPa)	3.0							
高压侧 High Pressure Side	2.0							
低压侧 Low Pressure Side	2.0							
重量 Weight(kg)	28	28	28	37	38	38	66	

注: 蒸发温度7.2°C, 冷凝温度54.4°C, 回气温度18.3°C, 过冷度8.3°C

Note: Evaporating Temperature 7.2°C, Condensing Temperature 54.4°C, Return Gas Temperature 18.3°C, Subcooling 8.3°C

技术参数 Specifications

R407C

技术参数 SPECIFICATIONS

型号 Model	WR108KE-TFD-NN1	WR125KE-TFD-NN1	WR144KE-TFD-NN1	WR160KE-TFD-NN1	WR190KE-TFD-GN1	WR250KE-TWD-GN1	WR310KE-TWD-GN1	
电制 Motor Power	380-420V/3~/50Hz or 460V/3~/60Hz							
名义功率 Nominal Power(HP)	9	10	12	13	15	20	25	
排量 Displacement(CC/Rev)	147.7	167.2	190.8	209	248.9	325	400	
制冷剂Refrigerant	R407C							
名义制冷量 Nominal Capacity(W)	26242	29620	33900	36644	43640	56983	70133	
名义输入功率 Nominal Power(W)	8133	9290	10506	11621	13840	18072	22242	
名义工况能效比 COP(W/W)	3.18	3.19	3.23	3.15	3.15	3.15	3.15	
名义工况电流 Nominal Operating Current(A)	14.7	16.2	17.9	19	22.6	29.5	38.5	
堵转电流LRA(A)	122	122	149	149	149	290	290	
最大运行电流MOC(A)	20.6	22.2	23.5	26.1	31.1	40.6	50.0	
曲轴箱加热器功率 Crankcase Heater(W)	90	90	90	90	90	90	90	
接管内径尺寸 Fitting ID Size(mm)	排气管 Dis.Tube	22.37-22.51				28.81-28.95		
	吸气管 Suc.Tube	34.97-35.10				34.97-35.10		
外形尺寸 Dimension(mm)	长(L)	281.4				337.34		
	宽(W)	273.7				333.77		
	高(H)	523.7				649.7		
底脚安装尺寸(孔径) Mounting Dim.(Dia.)(mm)	190.5x190.5(8.5)							
润滑油类型 Lubrication Oil	POE							
润滑油初次充注量 Lubrication Oil Initial Charge(L)	3	3	3.2	3.2	3.2	5	5	
润滑油重新充注量(L) Lubrication Oil Recharge(L)	2.8	2.8	3	3	3	4.8	4.8	
最大工作压力 Maxium Operating Pressure(MPa)	3.0							
高压侧 High Pressure Side	2.0							
低压侧 Low Pressure Side	2.0							
重量 Weight(kg)	66	66	66	66	66	92	92	

注: 蒸发温度7.2°C, 冷凝温度54.4°C, 回气温度18.3°C, 过冷度8.3°C

Note: Evaporating Temperature 7.2°C, Condensing Temperature 54.4°C, Return Gas Temperature 18.3°C, Subcooling 8.3°C

技术参数 Specifications

R410A

技术参数 SPECIFICATIONS

型号 Model	WR28KP-TFD-NN1	WR36KP-TFD-NN1	WR48KP-TFD-NN1	WR61KP-TFD-NN1	WR72KP-TFD-NN1	WR81KP-TFD-NN1	WR94KP-TFD-NN1
电制 Motor Power	380-420V/3~/50Hz or 460V/3~/60Hz						
名义功率 Nominal Power(HP)	2	3	4	5	6	7	8
排量 Displacement(CC/Rev)	26.7	36	48	63.9	67.1	77.2	84.5
制冷剂Refrigerant	R410A						
名义制冷量 Nominal Capacity(W)	7079	9545	12726	16942	17790	20468	22403
名义输入功率 Nominal Power(W)	2280	3074	4099	5457	5730	6592	7216
名义工况能效比 COP(W/W)	3.1	3.1	3.1	3.1	3.1	3.1	3.1
名义工况电流 Nominal Operating Current(A)	4.3	5.8	7.6	9.8	10.2	10.8	11.8
堵转电流LRA(A)	45	45	45	60	85	85	85
最大运行电流MOC(A)	5.1	6.9	9.2	12.0	12.6	14.5	15.8
曲轴箱加热器功率 Crankcase Heater(W)	70	70	70	70	70	70	70
接管内径尺寸 Fitting ID Size(mm)	排气管 Dis.Tube	12.94-13.10					
	吸气管 Suc.Tube	22.37-22.51					
外形尺寸 Dimension(mm)	长(L)	244.4			233.63		
	宽(W)	230.5			230.5		
	高(H)	403.4			442.7		
底脚安装尺寸(孔径) Mounting Dim.(Dia.)(mm)	190.5x190.5(9.0)						
润滑油类型 Lubrication Oil	POE						
润滑油初次充注量 Lubrication Oil Initial Charge(L)	1.4	1.4	1.4	1.4	1.8	1.8	1.8
润滑油重新充注量(L) Lubrication Oil Recharge(L)	1.2	1.2	1.2	1.2	1.6	1.6	1.6
最大工作压力 Maxium Operating Pressure(MPa)							
高压侧 High Pressure Side	4.3						
低压侧 Low Pressure Side	2.0						
重量 Weight(kg)	28	28	28	30	38	38	38

注: 蒸发温度7.2°C, 冷凝温度54.4°C, 回气温度18.3°C, 过冷度8.3°C

Note: Evaporating Temperature 7.2°C, Condensing Temperature 54.4°C, Return Gas Temperature 18.3°C, Subcooling 8.3°C

技术参数 Specifications

R410A

制冷量 COOLING CAPACITY

型号 Model	WR108KP-TFD-NN1	WR125KP-TFD-NN1	WR144KP-TFD-NN1	WR154KP-TFD-NN1	WR190KP-TFD-GN1	WR235KP-TWD-GN1	WR292KP-TWD-GN1
电制 Motor Power	380-420V/3~/50Hz or 460V/3~/60Hz						
名义功率 Nominal Power(HP)	9	10	12	13	15	20	25
排量 Displacement(CC/Rev)	98.9	112	127	143.1	167.2	220	262.8
制冷剂Refrigerant	R410A						
名义制冷量 Nominal Capacity(W)	26221	29694	33671	37940	44330	59855	71500
名义输入功率 Nominal Power(W)	8446	9196	10428	11750	13729	18141	21670
名义工况能效比 COP(W/W)	3.1	3.23	3.23	3.23	3.23	3.3	3.3
名义工况电流 Nominal Operating Current(A)	15.1	15.7	17.1	20.0	23.4	32.4	38.7
堵转电流LRA(A)	122	149	149	149	149	290	290
最大运行电流MOC(A)	18.5	21.1	23.8	26.8	31.3	46.0	55.0
曲轴箱加热器功率 Crankcase Heater(W)	90	90	90	90	90	90	90
接管内径尺寸 Fitting ID Size(mm)	排气管 Dis.Tube	22.37-22.51				28.81-28.95	
	吸气管 Suc.Tube	34.97-35.10				34.97-35.10	
外形尺寸 Dimension(mm)	长(L)	281.4				337.34	
	宽(W)	273.7				333.77	
	高(H)	523.7				649.7	
底脚安装尺寸(孔径) Mounting Dim.(Dia.)(mm)	190.5x190.5(8.5)						
润滑油类型 Lubrication Oil	POE						
润滑油初次充注量 Lubrication Oil Initial Charge(L)	1.8	3	3	3	3	5	5
润滑油重新充注量(L) Lubrication Oil Recharge(L)	1.6	2.8	2.8	2.8	2.8	4.8	4.8
最大工作压力 Maxium Operating Pressure(MPa)							
高压侧 High Pressure Side	4.3						
低压侧 Low Pressure Side	2.0						
重量 Weight(kg)	43	66	66	66	66	92	92

注: 蒸发温度7.2°C, 冷凝温度54.4°C, 回气温度18.3°C, 过冷度8.3°C

Note: Evaporating Temperature 7.2°C, Condensing Temperature 54.4°C, Return Gas Temperature 18.3°C, Subcooling 8.3°C

制冷量-R22

Cooling Capacity - R22

制冷量 COOLING CAPACITY

型号Model	项目Item (W)	Tc\Te	-25°C	-20°C	-15°C	-10°C	-5°C	0°C	5°C	10°C
WR28KM-TFD-NN1	Q	65°C							5332	6409
	P								2442	2491
	Q	60°C						4607	5630	6757
	P							2160	2194	2250
	Q	55°C					3940	4895	5965	7135
	P						1914	1940	1980	2042
	Q	50°C				3337	4210	5209	6320	7529
	P					1696	1721	1750	1794	1861
	Q	45°C			2801	3579	4494	5532	6679	7922
	P				1497	1527	1553	1585	1631	1700
	Q	40°C		2339	3008	3825	4776	5847	7026	8297
	P			1308	1349	1378	1405	1437	1485	1555
	Q	35°C	1954	2501	3206	4057	5040	6140	7344	8639
	P		1120	1179	1218	1246	1271	1302	1348	1418
	Q	30°C	2064	2644	3381	4261	5269	6393	7619	8932
	P		1007	1062	1098	1122	1145	1173	1217	1284
	Q	25°C	2144	2753	3516	4419	5449	6591	7832	9158
	P		903	953	983	1003	1020	1044	1083	1146
WR36KM-TFD-NN1	Q	65°C							7252	8718
	P								3322	3388
	Q	60°C						6266	7658	9190
	P							2938	2984	3060
	Q	55°C					5360	6659	8113	9705
	P						2604	2639	2693	2777
	Q	50°C				4538	5726	7085	8596	10241
	P					2307	2340	2381	2440	2531
	Q	45°C			3810	4868	6112	7524	9085	10775
	P				2037	2076	2112	2156	2219	2313
	Q	40°C		3181	4091	5202	6496	7954	9557	11286
	P			1779	1835	1875	1911	1955	2019	2115
	Q	35°C	2658	3402	4361	5519	6855	8352	9990	11751
	P		1523	1603	1656	1694	1729	1771	1834	1929
	Q	30°C	2807	3597	4599	5796	7167	8696	10363	12149
	P		1370	1445	1493	1527	1557	1596	1655	1746
	Q	25°C	2916	3744	4782	6011	7411	8965	10653	12457
	P		1228	1296	1337	1364	1388	1420	1474	1559

以上数据基于11.1K吸气过热度，8.3K过冷度
The above data are based on 11.1k supheating and 8.3K subcooling

制冷量-R22

Cooling Capacity - R22

制冷量 COOLING CAPACITY

型号Model	项目Item (W)	Tc\Te	-25°C	-20°C	-15°C	-10°C	-5°C	0°C	5°C	10°C
WR48KM-TFD-NN1	Q	65°C							9158	11009
	P								4195	4278
	Q	60°C						7914	9671	11606
	P							3710	3768	3865
	Q	55°C					6768	8409	10246	12257
	P						3288	3333	3401	3507
	Q	50°C				5731	7231	8947	10856	12933
	P					2914	2956	3007	3082	3196
	Q	45°C			4811	6148	7719	9502	11473	13608
	P				2572	2622	2667	2722	2802	2921
	Q	40°C		4017	5166	6570	8204	10044	12069	14253
	P			2247	2317	2368	2413	2469	2550	2671
	Q	35°C	3357	4296	5508	6969	8657	10547	12616	14840
	P		1923	2025	2092	2140	2183	2237	2316	2436
	Q	30°C	3545	4542	5808	7319	9051	10982	13087	15342
	P		1730	1825	1886	1928	1966	2015	2090	2205
	Q	25°C	3682	4729	6039	7591	9359	11321	13453	15732
	P		1551	1637	1689	1722	1752	1793	1861	1969
WR61KM-TFD-NN1	Q	65°C							12111	14558
	P								5548	5658
	Q	60°C						10465	12789	15348
	P							4907	4983	5111
	Q	55°C					8950	11120	13549	16208
	P						4348	4407	4497	4638
	Q	50°C				7579	9563	11832	14356	17102
	P					3853	3909	3976	4075	4227
	Q	45°C			6362	8130	10208	12565	15171	17994
	P				3401	3468	3527	3600	3705	3862
	Q	40°C		5312	6832	8688	10848	13282	15959	18847
	P			2971	3064	3131	3191	3265	3372	3532
	Q	35°C	4440	5681	7283	9216	11448	13947	16683	19624
	P		2543	2677	2766	2829	2887	2958	3063	3221
	Q	30°C	4688	6007	7681	9678	11969	14522	17306	20289
	P		2287	2413	2494	2549	2600	2665	2764	2916
	Q	25°C	4869	6253	7986	10038	12377	14971	17790	20803
	P		2051	2164	2233	2278	2317	2372	2461	2604

以上数据基于11.1K吸气过热度，8.3K过冷度
The above data are based on 11.1k supheating and 8.3K subcooling

制冷量-R22

Cooling Capacity - R22

制冷量 COOLING CAPACITY

型号Model	项目Item (W)	Tc\Te	-25°C	-20°C	-15°C	-10°C	-5°C	0°C	5°C	10°C
WR72KM-TFD-NN1	Q	65°C							14175	17039
	P							6493	6622	
	Q	60°C					12248	14968	17963	
	P						5743	5832	5981	
	Q	55°C					10476	13015	15858	18970
	P						5090	5158	5263	5429
	Q	50°C				8871	11192	13848	16802	20017
	P					4510	4575	4654	4770	4947
	Q	45°C			7447	9515	11947	14706	17757	21061
	P				3980	4058	4128	4213	4336	4521
	Q	40°C		6217	7996	10168	12697	15546	18679	22059
	P			3477	3586	3664	3735	3822	3947	4134
	Q	35°C	5196	6649	8525	10787	13398	16324	19526	22969
	P		2977	3134	3237	3311	3379	3462	3585	3770
	Q	30°C	5487	7030	8989	11328	14009	16997	20255	23746
	P		2677	2824	2919	2984	3043	3119	3235	3413
	Q	25°C	5699	7319	9347	11749	14486	17522	20822	24349
	P		2401	2533	2614	2666	2712	2776	2880	3048
WR81KM-TFD-NN1	Q	65°C							15479	18607
	P							7091	7231	
	Q	60°C					13375	16345	19616	
	P						6271	6369	6532	
	Q	55°C					11439	14212	17317	20715
	P						5558	5633	5748	5928
	Q	50°C				9687	12222	15122	18348	21859
	P					4925	4995	5082	5209	5402
	Q	45°C			8132	10391	13046	16060	19390	22999
	P				4347	4432	4508	4601	4735	4937
	Q	40°C		6789	8732	11104	13865	16976	20398	24089
	P			3797	3916	4001	4079	4173	4310	4514
	Q	35°C	5674	7261	9309	11779	14631	17826	21322	25082
	P		3250	3422	3535	3616	3690	3781	3915	4117
	Q	30°C	5992	7677	9817	12370	15298	18561	22118	25931
	P		2923	3084	3187	3258	3323	3406	3532	3727
	Q	25°C	6223	7992	10207	12830	15818	19135	22738	26589
	P		2621	2766	2854	2911	2962	3031	3145	3328

以上数据基于11.1K吸气过热度，8.3K过冷度
The above data are based on 11.1k supheating and 8.3K subcooling

制冷量-R22

Cooling Capacity - R22

制冷量 COOLING CAPACITY

型号Model	项目Item (W)	Tc\Te	-25°C	-20°C	-15°C	-10°C	-5°C	0°C	5°C	10°C	
WR94KM-TFD-NN1	Q	65°C							18202	21880	
	P							8338	8503		
	Q	60°C					15728	19221	23067		
	P						7374	7490	7681		
	Q	55°C					13452	16712	20364	24360	
	P						6536	6623	6759	6971	
	Q	50°C				11391	14372	17783	21576	25704	
	P					5791	5874	5976	6125	6352	
	Q	45°C			9563	12219	15342	18885	22802	27045	
	P				5111	5212	5301	5411	5569	5805	
	Q	40°C			7984	10268	13057	16304	19963	23986	28327
	P				4465	4605	4705	4796	4907	5068	5308
	Q	35°C	6672	8538	10947	13851	17205	20962	25074	29494	
	P		3822	4024	4157	4252	4339	4446	4603	4841	
	Q	30°C	7046	9028	11544	14546	17989	21826	26010	30493	
	P		3438	3626	3748	3832	3908	4005	4154	4383	
	Q	25°C	7318	9398	12003	15087	18601	22501	26738	31267	
	P		3083	3253	3356	3423	3483	3564	3698	3914	
WR108KM-TFD-NN1	Q	65°C							21169	25447	
	P							9697	9889		
	Q	60°C					18292	22354	26826		
	P						8576	8710	8933		
	Q	55°C					15645	19436	23683	28330	
	P						7601	7703	7860	8107	
	Q	50°C				13248	16715	20681	25092	29894	
	P					6735	6832	6950	7124	7388	
	Q	45°C			11121	14210	17842	21963	26518	31453	
	P				5945	6061	6166	6292	6476	6751	
	Q	40°C			9285	11942	15185	18962	23217	27895	32944
	P				5193	5356	5472	5578	5707	5894	6173
	Q	35°C	7760	9930	12731	16109	20010	24378	29160	34302	
	P		4445	4680	4835	4945	5046	5170	5354	5630	
	Q	30°C	8195	10499	13425	16917	20922	25384	30249	35463	
	P		3998	4218	4359	4456	4544	4658	4831	5097	
	Q	25°C	8511	10930	13960	17546	21633	26168	31096	36363	
	P		3585	3783	3903	3981	4050	4145	4301	4552	

以上数据基于11.1K吸气过热度，8.3K过冷度
The above data are based on 11.1k supheating and 8.3K subcooling

制冷量-R22

Cooling Capacity - R22

制冷量 COOLING CAPACITY

型号Model	项目Item (W)	Tc\Te	-25°C	-20°C	-15°C	-10°C	-5°C	0°C	5°C	10°C
WR125KM-TFD-NN1	Q	65°C							23964	28806
	P								10978	11195
	Q	60°C						20707	25305	30368
	P							9709	9860	10112
	Q	55°C					17710	22002	26810	32070
	P						8604	8720	8898	9177
	Q	50°C				14997	18922	23412	28405	33840
	P					7625	7734	7867	8064	8363
	Q	45°C			12589	16086	20198	24863	30019	35606
	P				6729	6861	6980	7123	7331	7643
	Q	40°C		10511	13518	17190	21465	26282	31578	37293
	P			5879	6063	6195	6315	6461	6672	6988
	Q	35°C	8785	11241	14412	18236	22651	27597	33010	38831
	P		5032	5297	5473	5598	5712	5853	6060	6373
	Q	30°C	9277	11886	15198	19151	23684	28735	34242	40145
	P		4526	4774	4934	5045	5144	5273	5468	5770
	Q	25°C	9634	12373	15803	19862	24489	29623	35202	41164
	P		4058	4282	4419	4507	4585	4693	4869	5153
WR144KM-TFD-NN1	Q	65°C							27346	32872
	P								12527	12775
	Q	60°C						23629	28876	34655
	P							11079	11252	11540
	Q	55°C						20210	25108	30594
	P							9819	9951	10154
	Q	50°C				17113	21593	26716	32415	38617
	P					8701	8825	8978	9202	9544
	Q	45°C			14366	18357	23049	28372	34256	40631
	P				7679	7830	7965	8129	8366	8721
	Q	40°C		11995	15426	19617	24495	29991	36036	42557
	P			6708	6918	7069	7206	7373	7614	7975
	Q	35°C	10024	12827	16446	20810	25849	31492	37670	44311
	P		5743	6045	6246	6389	6518	6679	6916	7273
	Q	30°C	10586	13563	17343	21854	27027	32791	39076	45811
	P		5165	5448	5631	5757	5871	6017	6240	6585
	Q	25°C	10994	14119	18033	22665	27946	33804	40171	46974
	P		4631	4887	5042	5143	5232	5355	5556	5880

以上数据基于11.1K吸气过热度，8.3K过冷度
The above data are based on 11.1k supheating and 8.3K subcooling

制冷量-R22

Cooling Capacity - R22

制冷量 COOLING CAPACITY

型号Model	项目Item (W)	Tc\Te	-25°C	-20°C	-15°C	-10°C	-5°C	0°C	5°C	10°C
WR160KM-TFD-NN1	Q	65°C							29954	36008
	P								13722	13993
	Q	60°C						25883	31631	37960
	P							12136	12325	12640
	Q	55°C					22138	27503	33512	40088
	P						10755	10900	11123	11472
	Q	50°C				18746	23652	29265	35507	42300
	P					9531	9667	9834	10080	10454
	Q	45°C			15737	20108	25247	31078	37524	44507
	P				8412	8577	8724	8904	9164	9553
	Q	40°C		13139	16898	21488	26832	32852	39473	46616
	P			7348	7578	7744	7893	8076	8340	8735
	Q	35°C	10981	14051	18015	22795	28314	34496	41263	48538
	P		6290	6622	6842	6998	7140	7316	7575	7966
	Q	30°C	11596	14857	18997	23938	29605	35919	42803	50181
	P		5657	5968	6168	6306	6431	6591	6835	7213
	Q	25°C	12043	15466	19753	24827	30612	37029	44002	51455
	P		5073	5353	5523	5633	5731	5866	6086	6441
WR190KM-TFD-GN1	Q	65°C							35673	42882
	P								16342	16665
	Q	60°C						30825	37670	45207
	P							14453	14678	15053
	Q	55°C					26364	32753	39910	47741
	P						12809	12981	13246	13662
	Q	50°C				22325	28168	34852	42285	50376
	P					11350	11513	11711	12004	12450
	Q	45°C			18741	23946	30067	37011	44687	53004
	P				10018	10214	10390	10604	10913	11377
	Q	40°C		15647	20124	25590	31954	39124	47009	55516
	P			8751	9025	9222	9400	9618	9933	10403
	Q	35°C	13077	16734	21454	27147	33720	41082	49140	57805
	P		7491	7886	8148	8334	8503	8713	9022	9487
	Q	30°C	13810	17693	22624	28509	35256	42776	50975	59761
	P		6738	7107	7345	7510	7658	7849	8140	8590
	Q	25°C	14342	18419	23524	29567	36456	44098	52403	61278
	P		6041	6375	6578	6709	6825	6986	7248	7671

以上数据基于11.1K吸气过热度，8.3K过冷度
The above data are based on 11.1k supheating and 8.3K subcooling

制冷量-R22

Cooling Capacity - R22

制冷量 COOLING CAPACITY

型号Model	项目Item (W)	Tc\Te	-25°C	-20°C	-15°C	-10°C	-5°C	0°C	5°C	10°C	
WR250KM-TFD-GN1	Q	65°C							46580	55993	
	P								21338	21760	
	Q	60°C						40249	49187	59029	
	P							18872	19166	19656	
	Q	55°C					34424	42768	52112	62338	
	P						16725	16950	17296	17839	
	Q	50°C				29150	36780	45508	55214	65778	
	P					14821	15033	15292	15675	16256	
	Q	45°C			24471	31268	39260	48327	58350	69209	
	P				13080	13337	13567	13846	14250	14855	
	Q	40°C		20431	26276	33414	41724	51086	61381	72490	
	P			11427	11784	12042	12274	12558	12969	13583	
	Q	35°C		17075	21850	28013	35447	44029	53642	64165	75478
	P			9782	10297	10639	10882	11103	11377	11780	12388
	Q	30°C		18032	23103	29541	37225	46036	55854	66560	78033
	P			8797	9280	9591	9806	10000	10249	10629	11216
	Q	25°C		18727	24050	30717	38607	47602	57581	68425	80013
	P			7888	8324	8589	8760	8912	9122	9464	10016
WR310KM-TFD-GN1	Q	65°C							57329	68915	
	P								26263	26781	
	Q	60°C						49537	60538	72651	
	P							23227	23589	24192	
	Q	55°C					42368	52637	64138	76723	
	P						20584	20861	21287	21956	
	Q	50°C				35877	45267	56009	67955	80958	
	P					18241	18502	18821	19292	20008	
	Q	45°C			30118	38484	48320	59480	71816	85181	
	P				16099	16415	16697	17041	17539	18283	
	Q	40°C		25146	32340	41125	51352	62875	75546	89218	
	P			14064	14504	14820	15107	15456	15962	16718	
	Q	35°C		21016	26892	34478	43627	54190	66021	78972	92896
	P			12039	12673	13094	13393	13665	14002	14498	15247
	Q	30°C		22193	28435	36358	45815	56660	68744	81920	96041
	P			10828	11422	11804	12068	12307	12614	13082	13805
	Q	25°C		23049	29600	37805	47517	58587	70869	84215	98478
	P			9709	10244	10571	10781	10969	11227	11648	12327

以上数据基于11.1K吸气过热度，8.3K过冷度
The above data are based on 11.1k supheating and 8.3K subcooling

制冷量-R407C

Cooling Capacity - R407C

制冷量 COOLING CAPACITY

型号Model	项目Item (W)	Tc\Te	-25°C	-20°C	-15°C	-10°C	-5°C	0°C	5°C	10°C	
WR28KE-TFD-NN1	Q	65°C							4816	5957	
	P								2450	2491	
	Q	60°C						4209	5255	6472	
	P							2173	2214	2246	
	Q	55°C					3619	4571	5682	6972	
	P						1922	1964	1995	2022	
	Q	50°C				3054	3915	4922	6096	7452	
	P					1693	1738	1769	1794	1818	
	Q	45°C			2523	3294	4200	5259	6489	7908	
	P				1486	1534	1566	1589	1610	1636	
	Q	40°C			2035	2719	3525	4471	5577	6859	8336
	P				1295	1348	1382	1405	1423	1444	1476
	Q	35°C		1597	2196	2905	3741	4723	5870	7200	8731
	P			1120	1178	1216	1239	1255	1272	1297	1338
	Q	30°C		1736	2348	3076	3938	4952	6136	7508	9088
	P			1022	1063	1088	1104	1117	1137	1169	1222
	Q	25°C		1864	2486	3229	4111	5152	6368	7779	9403
	P			922	950	966	977	992	1017	1061	1129
WR36KE-TFD-NN1	Q	65°C							6551	8102	
	P								3333	3388	
	Q	60°C						5725	7147	8803	
	P							2956	3012	3055	
	Q	55°C					4922	6217	7729	9483	
	P						2614	2672	2714	2750	
	Q	50°C				4154	5325	6696	8291	10136	
	P					2303	2365	2407	2440	2473	
	Q	45°C			3432	4481	5713	7154	8827	10757	
	P				2021	2087	2130	2161	2189	2226	
	Q	40°C			2767	3698	4795	6082	7585	9329	11339
	P				1762	1834	1880	1911	1935	1964	2007
	Q	35°C		2173	2987	3951	5088	6425	7985	9794	11876
	P			1523	1603	1654	1685	1707	1730	1764	1819
	Q	30°C		2361	3194	4184	5356	6735	8346	10213	12362
	P			1390	1446	1480	1501	1520	1546	1590	1662
	Q	25°C		2536	3381	4392	5592	7007	8662	10581	12790
	P			1254	1292	1314	1329	1350	1384	1443	1536

以上数据基于11.1K吸气过热度，8.3K过冷度
The above data are based on 11.1k supheating and 8.3K subcooling

制冷量-R407C

Cooling Capacity - R407C

制冷量 COOLING CAPACITY

型号Model	项目Item (W)	Tc\Te	-25°C	-20°C	-15°C	-10°C	-5°C	0°C	5°C	10°C	
WR48KE-TFD-NN1	Q	65°C							8273	10232	
	P								4209	4279	
	Q	60°C						7230	9026	11117	
	P							3732	3803	3858	
	Q	55°C						6216	7852	9761	11976
	P							3301	3374	3427	3473
	Q	50°C					5246	6724	8456	10471	12801
	P						2909	2986	3039	3081	3124
	Q	45°C			4334	5659	7215	9034	11147	13585	
	P				2552	2635	2690	2729	2765	2811	
	Q	40°C		3495	4670	6055	7681	9579	11782	14319	
	P			2225	2316	2374	2413	2444	2480	2535	
	Q	35°C		2744	3772	4989	6426	8113	10084	12368	14997
	P			1923	2024	2088	2128	2156	2185	2228	2298
	Q	30°C		2981	4033	5284	6764	8505	10539	12897	15611
	P			1755	1826	1869	1896	1919	1953	2008	2099
	Q	25°C		3202	4270	5546	7062	8849	10939	13363	16152
	P			1584	1631	1659	1679	1704	1748	1822	1940
WR61KE-TFD-NN1	Q	65°C							10940	13531	
	P								5565	5658	
	Q	60°C						9561	11936	14701	
	P							4936	5029	5102	
	Q	55°C						8220	10383	12908	15836
	P							4365	4462	4532	4593
	Q	50°C					6937	8892	11181	13846	16927
	P						3847	3949	4019	4074	4131
	Q	45°C			5731	7483	9541	11946	14740	17964	
	P				3374	3485	3557	3609	3656	3717	
	Q	40°C		4621	6175	8007	10157	12667	15580	18936	
	P			2942	3063	3140	3191	3232	3280	3352	
	Q	35°C		3629	4989	6598	8497	10729	13334	16355	19832
	P			2544	2677	2761	2814	2851	2889	2946	3038
	Q	30°C		3942	5334	6987	8945	11247	13937	17055	20643
	P			2321	2415	2471	2507	2538	2582	2656	2776
	Q	25°C		4234	5646	7334	9338	11702	14465	17671	21359
	P			2094	2157	2194	2220	2254	2311	2409	2565

以上数据基于11.1K吸气过热度，8.3K过冷度
The above data are based on 11.1k supheating and 8.3K subcooling

制冷量-R407C

Cooling Capacity - R407C

制冷量 COOLING CAPACITY

型号Model	项目Item (W)	Tc\Te	-25°C	-20°C	-15°C	-10°C	-5°C	0°C	5°C	10°C	
WR72KE-TFD-NN1	Q	65°C							12804	15837	
	P								6514	6623	
	Q	60°C						11190	13970	17206	
	P							5777	5886	5972	
	Q	55°C						9621	12152	15107	18535
	P							5109	5222	5304	5375
	Q	50°C					8119	10408	13087	16206	19812
	P						4502	4622	4704	4768	4834
	Q	45°C			6707	8758	11167	13982	17252	21025	
	P				3949	4078	4163	4224	4279	4350	
	Q	40°C			5409	7228	9371	11888	14826	18235	22163
	P				3444	3585	3675	3735	3783	3839	3924
	Q	35°C		4247	5839	7722	9945	12557	15607	19142	23212
	P			2977	3133	3232	3293	3337	3382	3448	3556
	Q	30°C		4614	6242	8178	10469	13164	16312	19962	24161
	P			2716	2826	2892	2934	2971	3022	3108	3248
	Q	25°C		4956	6608	8584	10930	13696	16931	20682	24999
	P			2451	2525	2567	2598	2638	2705	2820	3002
WR81KE-TFD-NN1	Q	65°C							13982	17294	
	P								7113	7232	
	Q	60°C						12220	15255	18789	
	P							6308	6428	6521	
	Q	55°C						10506	13271	16498	20240
	P							5579	5702	5792	5870
	Q	50°C					8866	11365	14291	17697	21635
	P						4916	5047	5137	5207	5279
	Q	45°C			7324	9564	12195	15269	18839	22960	
	P				4313	4454	4546	4612	4673	4750	
	Q	40°C			5907	7893	10233	12982	16190	19913	24202
	P				3760	3914	4013	4078	4131	4192	4285
	Q	35°C		4638	6376	8432	10860	13713	17043	20903	25348
	P			3251	3421	3529	3596	3644	3693	3766	3883
	Q	30°C		5039	6817	8930	11432	14375	17813	21799	26384
	P			2966	3087	3159	3204	3244	3300	3394	3547
	Q	25°C		5412	7216	9373	11936	14956	18488	22585	27299
	P			2677	2757	2804	2837	2880	2954	3079	3278

以上数据基于11.1K吸气过热度，8.3K过冷度
The above data are based on 11.1k supheating and 8.3K subcooling

制冷量-R407C

Cooling Capacity - R407C

制冷量 COOLING CAPACITY

型号Model	项目Item (W)	Tc\Te	-25°C	-20°C	-15°C	-10°C	-5°C	0°C	5°C	10°C	
WR94KE-TFD-NN1	Q	65°C							16442	20336	
	P								8364	8504	
	Q	60°C						14370	17939	22094	
	P							7418	7559	7668	
	Q	55°C						12355	15605	19400	23801
	P							6560	6706	6811	6903
	Q	50°C				10426	13365	16805	20810	25441	
	P					5781	5935	6040	6123	6208	
	Q	45°C			8613	11247	14340	17955	22154	26999	
	P				5072	5237	5346	5424	5495	5586	
	Q	40°C		6946	9281	12034	15265	19039	23416	28459	
	P			4422	4603	4719	4796	4857	4930	5038	
	Q	35°C		5454	7498	9916	12771	16125	20041	24581	29807
	P			3823	4023	4150	4229	4285	4343	4428	4566
	Q	30°C		5925	8016	10501	13443	16904	20947	25633	31026
	P			3488	3630	3714	3768	3815	3881	3991	4171
	Q	25°C		6364	8486	11022	14035	17587	21741	26558	32102
	P			3148	3242	3297	3337	3387	3474	3621	3855
WR108KE-TFD-NN1	Q	65°C							19122	23651	
	P								9728	9890	
	Q	60°C						16712	20863	25696	
	P							8627	8791	8918	
	Q	55°C						14368	18149	22562	27681
	P							7630	7799	7922	8028
	Q	50°C				12125	15543	19544	24202	29588	
	P					6724	6902	7025	7121	7220	
	Q	45°C			10017	13080	16677	20881	25765	31400	
	P				5898	6091	6218	6308	6391	6497	
	Q	40°C		8078	10794	13995	17753	22142	27232	33098	
	P			5143	5353	5488	5577	5649	5733	5860	
	Q	35°C		6343	8720	11532	14853	18754	23308	28587	34665
	P			4446	4679	4827	4918	4983	5050	5150	5311
	Q	30°C		6891	9323	12213	15635	19660	24361	29811	36083
	P			4057	4221	4320	4382	4436	4513	4642	4851
	Q	25°C		7401	9869	12819	16323	20454	25285	30887	37334
	P			3661	3771	3834	3881	3939	4040	4211	4483

以上数据基于11.1K吸气过热度，8.3K过冷度
The above data are based on 11.1k supheating and 8.3K subcooling

制冷量-R407C

Cooling Capacity - R407C

制冷量 COOLING CAPACITY

型号Model	项目Item (W)	Tc\Te	-25°C	-20°C	-15°C	-10°C	-5°C	0°C	5°C	10°C	
WR125KE-TFD-NN1	Q	65°C							21647	26773	
	P								11012	11196	
	Q	60°C						18918	23617	29088	
	P							9766	9952	10096	
	Q	55°C						16265	20545	25541	31335
	P							8637	8828	8967	9087
	Q	50°C				13726	17595	22125	27397	33494	
	P					7611	7814	7952	8061	8173	
	Q	45°C			11339	14807	18879	23638	29166	35545	
	P				6677	6895	7038	7141	7235	7354	
	Q	40°C		9144	12219	15843	20097	25065	30828	37468	
	P			5822	6060	6213	6314	6395	6490	6633	
	Q	35°C		7180	9871	13055	16813	21229	26385	32362	39242
	P			5033	5297	5464	5567	5641	5717	5830	6012
	Q	30°C		7801	10554	13825	17699	22255	27577	33747	40847
	P			4592	4778	4890	4960	5022	5109	5255	5492
	Q	25°C		8378	11172	14511	18478	23154	28623	34965	42263
	P			4144	4269	4340	4393	4459	4573	4767	5075
WR144KE-TFD-NN1	Q	65°C							24702	30552	
	P								12566	12776	
	Q	60°C						21589	26951	33194	
	P							11145	11356	11521	
	Q	55°C						18561	23445	29146	35758
	P							9856	10074	10233	10370
	Q	50°C				15663	20079	25248	31264	38222	
	P					8686	8916	9075	9199	9327	
	Q	45°C			12940	16897	21544	26975	33283	40562	
	P				7619	7868	8032	8149	8256	8392	
	Q	40°C		10435	13944	18079	22934	28603	35179	42756	
	P			6643	6916	7090	7205	7298	7407	7570	
	Q	35°C		8193	11264	14897	19187	24226	30109	36929	44781
	P			5743	6044	6235	6353	6437	6524	6653	6860
	Q	30°C		8902	12043	15777	20197	25397	31470	38511	46613
	P			5240	5453	5580	5660	5731	5830	5996	6267
	Q	25°C		9561	12749	16560	21086	26423	32663	39900	48229
	P			4729	4871	4953	5013	5089	5219	5440	5792

以上数据基于11.1K吸气过热度，8.3K过冷度
The above data are based on 11.1k supheating and 8.3K subcooling

制冷量-R407C

Cooling Capacity - R407C

制冷量 COOLING CAPACITY

型号Model	项目Item (W)	Tc\Te	-25°C	-20°C	-15°C	-10°C	-5°C	0°C	5°C	10°C
WR160KE-TFD-NN1	Q	65°C							27058	33466
	P								13765	13995
	Q	60°C						23648	29521	36360
	P							12208	12440	12620
	Q	55°C					20332	25681	31926	39169
	P						10796	11035	11209	11359
	Q	50°C				17157	21994	27656	34246	41868
	P					9514	9767	9940	10076	10216
	Q	45°C			14174	18509	23599	29548	36458	44432
	P				8346	8619	8798	8926	9044	9193
	Q	40°C		11431	15274	19804	25122	31331	38535	46835
	P			7277	7575	7766	7892	7994	8113	8292
	Q	35°C	8975	12339	16318	21017	26537	32981	40452	49052
	P		6291	6621	6830	6959	7051	7146	7287	7515
	Q	30°C	9751	13192	17282	22123	27819	34472	42184	51059
	P		5740	5973	6112	6200	6278	6387	6568	6865
	Q	25°C	10473	13965	18139	23098	28943	35778	43706	52829
	P		5180	5336	5425	5491	5574	5716	5959	6344
WR190KE-TFD-GN1	Q	65°C							32224	39855
	P								16393	16667
	Q	60°C						28163	35157	43301
	P							14539	14814	15029
	Q	55°C					24213	30584	38021	46647
	P						12857	13142	13349	13528
	Q	50°C				20433	26193	32936	40784	49861
	P					11330	11631	11838	12000	12167
	Q	45°C			16880	22042	28104	35189	43418	52914
	P				9940	10264	10478	10630	10770	10948
	Q	40°C		13613	18190	23584	29918	37313	45891	55776
	P			8666	9021	9249	9399	9520	9662	9875
	Q	35°C	10688	14694	19434	25029	31603	39277	48175	58417
	P		7492	7885	8134	8288	8397	8511	8678	8949
	Q	30°C	11612	15710	20581	26347	33130	41053	50237	60806
	P		6836	7113	7279	7384	7476	7606	7822	8175
	Q	25°C	12472	16631	21602	27507	34469	42609	52050	62915
	P		6169	6354	6461	6539	6638	6808	7097	7555

以上数据基于11.1K吸气过热度，8.3K过冷度
The above data are based on 11.1k supheating and 8.3K subcooling

制冷量-R407C

Cooling Capacity - R407C

制冷量 COOLING CAPACITY

型号Model	项目Item (W)	Tc\Te	-25°C	-20°C	-15°C	-10°C	-5°C	0°C	5°C	10°C
WR250KE-TWD-GN1	Q	65°C							42076	52041
	P								21405	21763
	Q	60°C						36773	45906	56541
	P							18984	19344	19624
	Q	55°C					31616	39934	49645	60909
	P						16788	17160	17431	17664
	Q	50°C				26680	34201	43006	53254	65105
	P					14795	15188	15458	15669	15887
	Q	45°C			22041	28781	36697	45947	56693	69092
	P				12979	13402	13681	13880	14063	14295
	Q	40°C		17775	23752	30795	39065	48721	59922	72829
	P			11316	11780	12077	12272	12430	12616	12894
	Q	35°C	13956	19187	25375	32682	41265	51286	62904	76278
	P		9783	10296	10621	10822	10964	11113	11332	11686
	Q	30°C	15163	20514	26874	34402	43259	53604	65597	79398
	P		8926	9288	9505	9641	9762	9931	10214	10675
	Q	25°C	16285	21716	28207	35917	45007	55636	67964	82150
	P		8056	8297	8437	8539	8668	8889	9267	9865
WR310KE-TWD-GN1	Q	65°C							51786	64051
	P								26345	26785
	Q	60°C						45260	56500	69588
	P							23365	23808	24153
	Q	55°C					38912	49150	61102	74964
	P						20663	21120	21453	21740
	Q	50°C				32837	42093	52930	65543	80130
	P					18209	18693	19025	19285	19553
	Q	45°C			27128	35423	45165	56551	69776	85037
	P				15974	16495	16838	17083	17308	17594
	Q	40°C		21877	29233	37902	48080	59964	73751	89636
	P			13927	14498	14864	15104	15299	15527	15869
	Q	35°C	17177	23615	31231	40224	50788	63121	77420	93880
	P		12040	12672	13071	13319	13495	13677	13947	14382
	Q	30°C	18662	25248	33075	42341	53242	65975	80735	97720
	P		10986	11432	11698	11866	12015	12223	12571	13138
	Q	25°C	20044	26728	34716	44206	55393	68475	83648	101108
	P		9915	10212	10384	10509	10668	10940	11405	12142

以上数据基于11.1K吸气过热度，8.3K过冷度
The above data are based on 11.1k supheating and 8.3K subcooling

制冷量-R410A

Cooling Capacity - R410A

制冷量 COOLING CAPACITY

型号Model	项目Item (W)	Tc\Te	-25°C	-20°C	-15°C	-10°C	-5°C	0°C	5°C	10°C
WR28KP-TFD-NN1	Q	65°C							5432	6495
	P								2741	2744
	Q	60°C						4971	5982	7121
	P							2463	2461	2471
	Q	55°C					4472	5423	6500	7709
	P						2214	2209	2213	2232
	Q	50°C				3957	4840	5848	6986	8260
	P					1989	1985	1986	1997	2023
	Q	45°C			3445	4253	5185	6245	7439	8772
	P				1783	1784	1784	1791	1808	1842
	Q	40°C		2958	3684	4531	5506	6614	7858	9244
	P			1591	1599	1604	1609	1621	1646	1689
	Q	35°C	2518	3153	3909	4791	5804	6953	8242	9677
	P		1408	1428	1439	1446	1456	1475	1507	1559
	Q	30°C	2682	3340	4121	5032	6077	7262	8590	10068
	P		1265	1285	1298	1310	1325	1350	1390	1451
	Q	25°C	2843	3516	4318	5252	6324	7539	8902	10417
	P		1138	1160	1176	1192	1212	1244	1292	1363
WR36KP-TFD-NN1	Q	65°C							7324	8758
	P								3696	3700
	Q	60°C						6703	8065	9601
	P							3321	3318	3332
	Q	55°C					6030	7312	8764	10394
	P						2985	2979	2984	3009
	Q	50°C				5335	6525	7885	9420	11137
	P					2681	2677	2678	2692	2727
	Q	45°C			4645	5734	6990	8420	10030	11827
	P				2404	2405	2406	2414	2438	2484
	Q	40°C		3989	4967	6110	7424	8917	10595	12464
	P			2145	2157	2162	2169	2186	2219	2277
	Q	35°C	3395	4252	5271	6460	7826	9374	11113	13047
	P		1899	1925	1940	1950	1964	1988	2032	2102
	Q	30°C	3617	4503	5556	6785	8194	9791	11582	13574
	P		1705	1733	1751	1766	1787	1820	1874	1957
	Q	25°C	3833	4741	5822	7082	8527	10165	12002	14045
	P		1534	1564	1586	1607	1635	1677	1742	1838

以上数据基于11.1K吸气过热度，8.3K过冷度
The above data are based on 11.1k supheating and 8.3K subcooling

制冷量-R410A

Cooling Capacity - R410A

制冷量 COOLING CAPACITY

型号Model	项目Item (W)	Tc\Te	-25°C	-20°C	-15°C	-10°C	-5°C	0°C	5°C	10°C	
WR48KP-TFD-NN1	Q	65°C							9766	11677	
	P								4927	4933	
	Q	60°C						8937	10754	12801	
	P							4428	4424	4443	
	Q	55°C					8040	9749	11686	13859	
	P						3980	3972	3979	4012	
	Q	50°C				7113	8700	10513	12560	14849	
	P					3575	3569	3570	3589	3636	
	Q	45°C			6193	7645	9320	11227	13374	15770	
	P				3205	3206	3208	3219	3250	3312	
	Q	40°C			5318	6622	8146	9899	11890	14127	16619
	P				2860	2875	2883	2892	2914	2958	3036
	Q	35°C	4527	5669	7028	8614	10434	12499	14817	17396	
	P		2532	2567	2587	2600	2618	2651	2709	2803	
	Q	30°C	4822	6004	7409	9046	10925	13055	15443	18099	
	P		2273	2311	2334	2355	2382	2427	2499	2609	
	Q	25°C	5111	6322	7763	9442	11370	13554	16003	18727	
	P		2046	2086	2114	2142	2179	2236	2323	2450	
WR61KP-TFD-NN1	Q	65°C							13000	15545	
	P								6560	6568	
	Q	60°C						11897	14316	17042	
	P							5895	5889	5914	
	Q	55°C					10703	12978	15557	18450	
	P						5298	5288	5297	5341	
	Q	50°C				9469	11582	13995	16720	19768	
	P					4760	4751	4753	4778	4841	
	Q	45°C			8244	10178	12408	14946	17804	20993	
	P				4266	4269	4270	4285	4327	4409	
	Q	40°C		7080	8816	10845	13178	15828	18806	22124	
	P			3807	3828	3838	3850	3879	3938	4041	
	Q	35°C	6026	7546	9356	11467	13891	16640	19725	23159	
	P		3371	3418	3443	3462	3486	3529	3607	3731	
	Q	30°C	6420	7992	9863	12043	14544	17379	20558	24095	
	P		3026	3076	3107	3135	3171	3231	3327	3473	
	Q	25°C	6804	8416	10334	12570	15136	18043	21304	24930	
	P		2724	2777	2815	2852	2901	2977	3093	3262	

以上数据基于11.1K吸气过热度，8.3K过冷度
The above data are based on 11.1k supheating and 8.3K subcooling

制冷量-R410A

Cooling Capacity - R410A

制冷量 COOLING CAPACITY

型号Model	项目Item (W)	Tc\Te	-25°C	-20°C	-15°C	-10°C	-5°C	0°C	5°C	10°C					
WR72KP-TFD-NN1	Q	65°C							13651	16324					
	P								6888	6896					
	Q	60°C						12493	15033	17895					
	P							6190	6184	6211					
	Q	55°C						11239	13628	16336	19374				
	P							5564	5552	5562	5608				
	Q	50°C						9943	12162	14696	17557	20758			
	P							4998	4989	4991	5018	5083			
	Q	45°C						8657	10688	13029	15694	18695	22045		
	P							4480	4482	4484	4500	4544	4630		
	Q	40°C						7435	9257	11388	13838	16621	19748	23232	
	P							3998	4020	4030	4043	4074	4136	4244	
	Q	35°C						6328	7924	9825	12041	14587	17473	20713	24318
	P							3540	3589	3616	3635	3660	3706	3787	3918
	Q	30°C						6741	8393	10357	12646	15273	18249	21588	25301
	P							3178	3230	3263	3292	3330	3392	3493	3647
	Q	25°C						7145	8837	10851	13200	15894	18947	22371	26178
	P							2860	2916	2956	2995	3047	3126	3248	3425
WR81KP-TFD-NN1	Q	65°C							15706	18781					
	P							7925	7934						
	Q	60°C						14374	17296	20589					
	P							7122	7115	7145					
	Q	55°C						12931	15680	18795	22290				
	P							6401	6388	6400	6452				
	Q	50°C						11440	13993	16908	20200	23882			
	P							5750	5740	5742	5773	5848			
	Q	45°C						9960	12296	14990	18057	21509	25363		
	P							5154	5157	5159	5177	5228	5327		
	Q	40°C						8554	10651	13102	15921	19122	22720	26729	
	P							4600	4625	4637	4652	4687	4758	4882	
	Q	35°C						7281	9117	11303	13854	16782	20103	23831	27979
	P							4072	4129	4160	4182	4211	4264	4357	4507
	Q	30°C						7756	9656	11915	14549	17571	20996	24837	29110
	P							3656	3716	3754	3787	3831	3903	4019	4196
	Q	25°C						8220	10167	12485	15186	18286	21799	25738	30119
	P							3290	3354	3401	3445	3505	3597	3737	3941

以上数据基于11.1K吸气过热度，8.3K过冷度
The above data are based on 11.1k supheating and 8.3K subcooling

制冷量-R410A

Cooling Capacity - R410A

制冷量 COOLING CAPACITY

型号Model	项目Item (W)	Tc\Te	-25°C	-20°C	-15°C	-10°C	-5°C	0°C	5°C	10°C					
WR94KP-TFD-NN1	Q	65°C							17191	20557					
	P							8674	8685						
	Q	60°C						15733	18931	22536					
	P							7795	7788	7821					
	Q	55°C						14154	17162	20572	24398				
	P							7007	6992	7005	7062				
	Q	50°C						12522	15316	18507	22110	26141			
	P							6294	6283	6285	6319	6401			
	Q	45°C						10902	13459	16408	19764	23543	27761		
	P							5642	5645	5647	5667	5722	5831		
	Q	40°C						9363	11658	14341	17426	20931	24869	29257	
	P							5035	5062	5075	5092	5130	5208	5344	
	Q	35°C						7969	9979	12372	15164	18369	22004	26084	30625
	P							4457	4520	4554	4577	4609	4667	4769	4934
	Q	30°C						8490	10569	13042	15925	19233	22981	27186	31862
	P							4002	4068	4109	4145	4193	4272	4399	4593
	Q	25°C						8997	11129	13665	16622	20015	23860	28172	32967
	P							3602	3672	3722	3771	3837	3937	4090	4314
WR108KP-TFD-NN1	Q	65°C							20121	24060					
	P							10153	10165						
	Q	60°C						18414	22158	26376					
	P							9123	9115	9154					
	Q	55°C						16566	20087	24078	28555				
	P							8201	8184	8199	8266				
	Q	50°C						14655	17926	21661	25878	30595			
	P							7367	7354	7356	7395	7492			
	Q	45°C						12760	15753	19204	23132	27555	32492		
	P							6603	6607	6609	6632	6697	6825		
	Q	40°C						10958	13645	16785	20396	24497	29107	34242	
	P							5893	5925	5940	5959	6004	6096	6255	
	Q	35°C						9327	11680	14481	17748	21499	25754	30529	35843
	P							5217	5290	5330	5358	5395	5463	5582	5774
	Q	30°C						9936	12370	15265	18639	22510	26898	31819	37292
	P							4684	4761	4810	4852	4908	5000	5149	5375
	Q	25°C						10531	13025	15994	19455	23426	27926	32973	38585
	P							4215	4297	4356	4414	4491	4608	4787	5049

以上数据基于11.1K吸气过热度，8.3K过冷度
The above data are based on 11.1k supheating and 8.3K subcooling

制冷量-R410A

Cooling Capacity - R410A

制冷量 COOLING CAPACITY

型号Model	项目Item (W)	Tc\Te	-25°C	-20°C	-15°C	-10°C	-5°C	0°C	5°C	10°C	
WR125KP-TFD-NN1	Q	65°C							22786	27247	
	P								11497	11511	
	Q	60°C						20853	25093	29870	
	P							10332	10322	10366	
	Q	55°C					18760	22748	27267	32338	
	P						9287	9268	9284	9361	
	Q	50°C				16597	20301	24530	29306	34648	
	P					8342	8328	8331	8375	8485	
	Q	45°C			14450	17839	21748	26196	31205	36796	
	P				7478	7482	7485	7511	7584	7729	
	Q	40°C		12410	15452	19008	23098	27742	32962	38778	
	P			6673	6709	6727	6749	6799	6903	7083	
	Q	35°C		10563	13227	16399	20099	24347	29165	34573	40591
	P			5908	5990	6035	6067	6109	6186	6322	6539
	Q	30°C		11252	14008	17287	21108	25492	30461	36033	42231
	P			5304	5391	5447	5494	5558	5662	5831	6087
	Q	25°C		11926	14751	18113	22032	26529	31625	37341	43695
	P			4774	4866	4933	4998	5085	5218	5421	5718
WR144KP-TFD-NN1	Q	65°C							25838	30896	
	P								13037	13053	
	Q	60°C						23646	28453	33870	
	P							11715	11705	11755	
	Q	55°C						21273	25794	30919	36669
	P							10531	10509	10528	10614
	Q	50°C				18819	23020	27816	33231	39288	
	P					9460	9443	9446	9497	9621	
	Q	45°C			16386	20229	24660	29705	35385	41724	
	P				8480	8484	8487	8517	8600	8764	
	Q	40°C		14072	17522	21554	26191	31458	37377	43971	
	P			7567	7608	7627	7652	7710	7827	8032	
	Q	35°C		11977	14998	18595	22790	27608	33071	39203	46027
	P			6699	6793	6844	6880	6928	7015	7168	7415
	Q	30°C		12759	15885	19602	23935	28906	34540	40859	47887
	P			6015	6113	6176	6230	6303	6421	6612	6902
	Q	25°C		13523	16726	20538	24983	30082	35861	42341	49548
	P			5413	5518	5594	5668	5767	5917	6147	6483

以上数据基于11.1K吸气过热度, 8.3K过冷度
The above data are based on 11.1k supheating and 8.3K subcooling

制冷量-R410A

Cooling Capacity - R410A

制冷量 COOLING CAPACITY

型号Model	项目Item (W)	Tc\Te	-25°C	-20°C	-15°C	-10°C	-5°C	0°C	5°C	10°C	
WR154KP-TFD-NN1	Q	65°C							29114	34812	
	P								14690	14708	
	Q	60°C						26643	32060	38164	
	P							13201	13188	13245	
	Q	55°C					23970	29064	34838	41317	
	P						11866	11841	11863	11960	
	Q	50°C				21205	25938	31342	37443	44269	
	P					10659	10640	10644	10701	10841	
	Q	45°C			18463	22793	27787	33470	39870	47013	
	P				9554	9559	9563	9597	9690	9875	
	Q	40°C			15856	19743	24286	29512	35446	42115	49546
	P				8526	8573	8594	8622	8687	8820	9050
	Q	35°C		13496	16900	20952	25679	31108	37263	44173	51862
	P			7549	7654	7711	7752	7806	7904	8077	8355
	Q	30°C		14377	17898	22087	26969	32571	38919	46039	53958
	P			6777	6888	6959	7020	7102	7235	7450	7777
	Q	25°C		15237	18847	23142	28150	33896	40407	47709	55829
	P			6099	6218	6303	6386	6498	6667	6926	7305
WR190KP-TFD-GN1	Q	65°C							34017	40675	
	P								17164	17185	
	Q	60°C						31130	37460	44591	
	P							15424	15409	15476	
	Q	55°C					28006	33959	40706	48276	
	P						13864	13836	13860	13974	
	Q	50°C				24776	30306	36620	43749	51724	
	P					12454	12432	12437	12503	12666	
	Q	45°C			21572	26632	32466	39107	46585	54931	
	P				11164	11169	11174	11213	11322	11538	
	Q	40°C		18526	23068	28376	34482	41415	49208	57890	
	P			9962	10016	10042	10075	10150	10305	10574	
	Q	35°C		15769	19746	24481	30004	36347	43539	51612	60597
	P			8820	8943	9010	9057	9121	9235	9437	9762
	Q	30°C		16798	20913	25807	31511	38056	45473	53793	63046
	P			7919	8048	8131	8202	8298	8453	8704	9087
	Q	25°C		17803	22021	27040	32891	39605	47212	55744	65231
	P			7126	7265	7365	7462	7592	7790	8093	8536

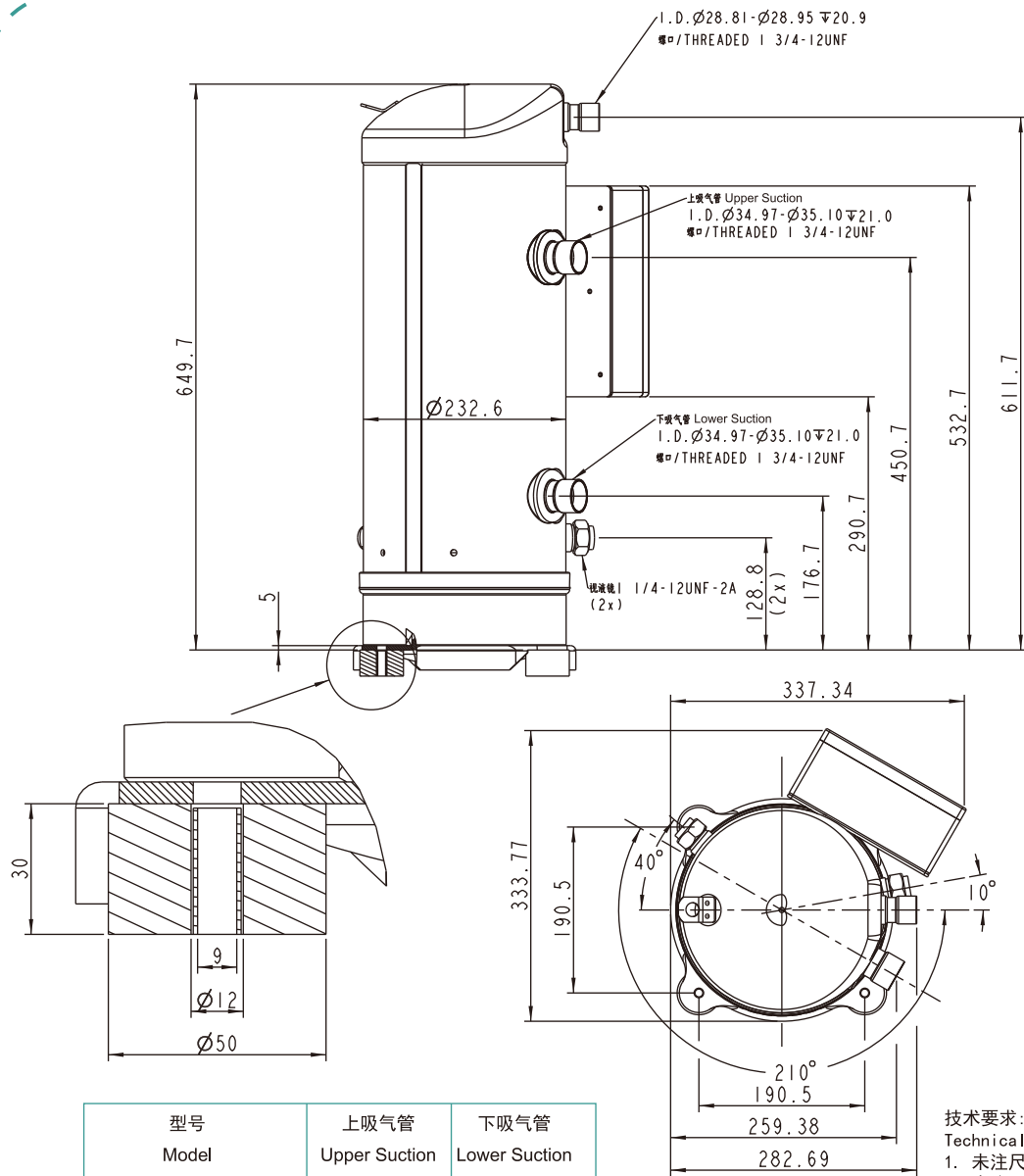
以上数据基于11.1K吸气过热度, 8.3K过冷度
The above data are based on 11.1k supheating and 8.3K subcooling

外形尺寸

Dimensional Information

WR250KM~WR310KM
WR250KE~WR310KE
WR235KP~WR292KP

外形尺寸 DIMENSIONAL INFORMATION



型号 Model	上吸气管 Upper Suction	下吸气管 Lower Suction
WR250KM-WR310KM WR250KE-WR310KE WR235KP-WR292KP	有 with	无 without

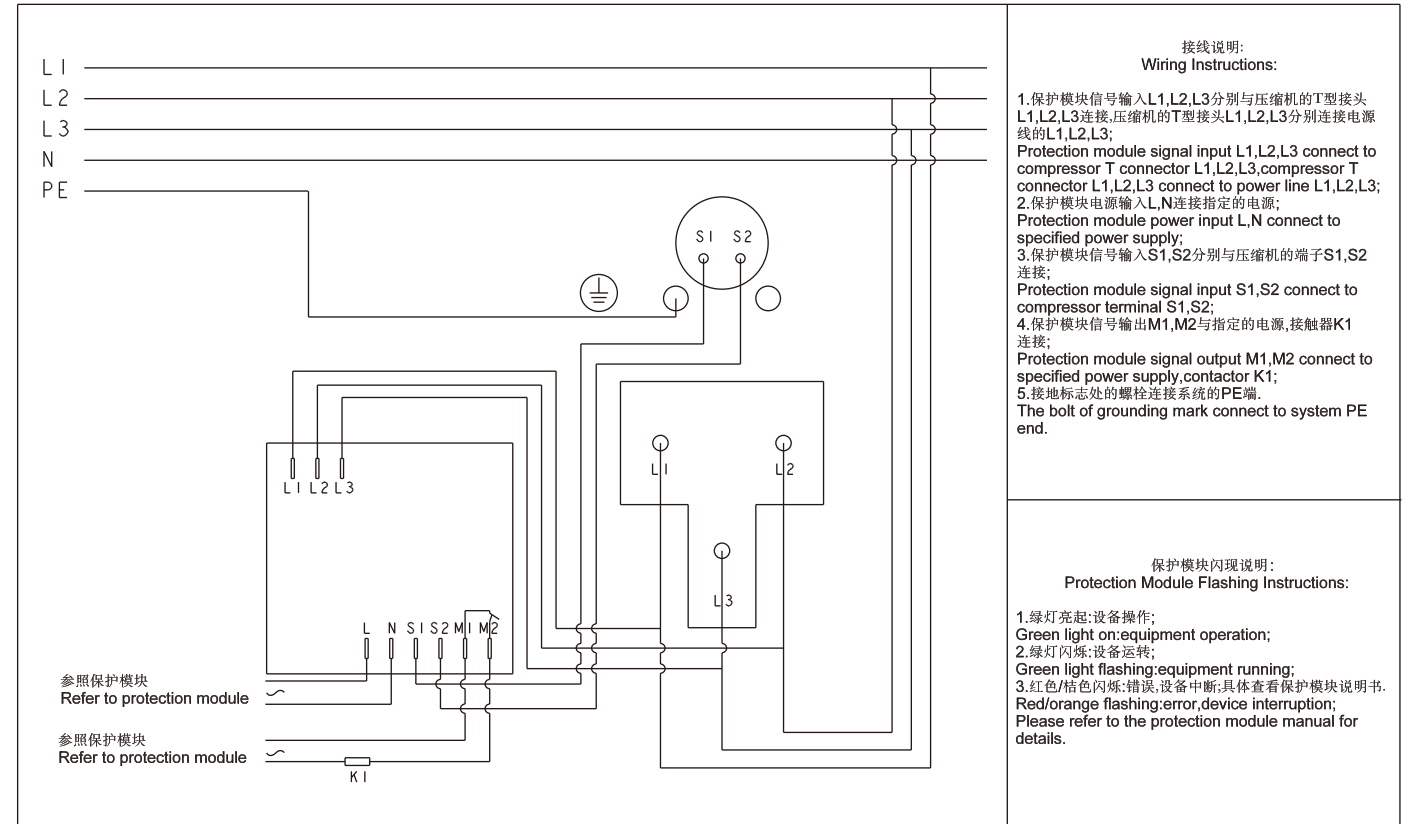
技术要求:
Technical requirements:
1. 未注尺寸单位Unsize unit:mm
2. 未注尺寸公差Undimensioned tolerance:
3. 未注角度公差Angle tolerance without injection:

接线图

Wiring Diagram

WR250KM~WR310KM
WR250KE~WR310KE
WR235KP~WR292KP

接线图 WIRING DIAGRAM



接线说明:
Wiring Instructions:

1. 保护模块信号输入 L1,L2,L3 分别与压缩机的 T 型接头 L1,L2,L3 连接,压缩机的 T 型接头 L1,L2,L3 分别连接电源线的 L1,L2,L3;
 2. 保护模块电源输入 L,N 连接指定的电源;
 3. 保护模块信号输入 S1,S2 分别与压缩机的端子 S1,S2 连接;
 4. 保护模块信号输出 M1,M2 与指定的电源,接触器 K1 连接;
 5. 接地标志处的螺栓连接系统的 PE 端。
- The bolt of grounding mark connect to system PE end.

保护模块闪烁说明:
Protection Module Flashing Instructions:

1. 绿灯亮起:设备操作;
Green light on:equipment operation;
2. 绿灯闪烁:设备运转;
Green light flashing:equipment running;
3. 红色/橘色闪烁:错误,设备中断;具体查看保护模块说明书。
Red/orange flashing:error,device interruption;
Please refer to the protection module manual for details.